



MODEL SELECTION

Part Number	PFC	Input Voltage
PC7062	Active PFC	110~240Vac

FEATURES

- Dual Switch Forward Converter design
- 3.3V & 5V DC-DC VRM module - increase efficiency
- Super low noise
- Scratch-resistant wrinkle paint casing
- Compliance with 80 PLUS Silver - efficiency 85%, 88%, 85%
- Support multi-GPU SLI & Crossfire
- Intelligent-thermal fan control
- Overclocking capability

INPUT SPEC.

Input Voltage Range	110~240Vac
Input Frequency Range	50~60Hz
Leakage Current	3.5mA@120V/60Hz
AC Input Current	10A@100V
PFC (Harmonic)	Meet EN61000-3-2 Class D (100V & 230V/50Hz)
EMI/RFI	CISPR 22 Class B
Energy Star	Efficiency 50%+ @1W standby mode, 115V/50Hz

OUTPUT SPEC.

Rated Power	600W
Efficiency	85%+@20%, 88%+@50%, 85%+@100% loads
OVP	+3.3V:4.3V,+5V:7V,+12V1/V2/V3:15.6V
OC	+3.3V:45A,+5V:45A,+12V1/V2:35A,+12V3:40A
OTP	Latch off all main outputs if over temperature
SCP	Latch off all main outputs reset by cycling on/off control or AC power

SAFETY

UL, CUL, FCC, TUV, NEMKO, CB, CE, CCC, BSMI, C-Tick, MIC

GENERAL SPEC.

Hold-up Time	16ms@max. load 115Vac/60Hz & 230Vac/50Hz
Dimensions	150 x 150 x 86 (mm)
MTBF	100K+ hrs
Output Rise Time	0.1~20ms
PG Signal Rise Time	1ms max.

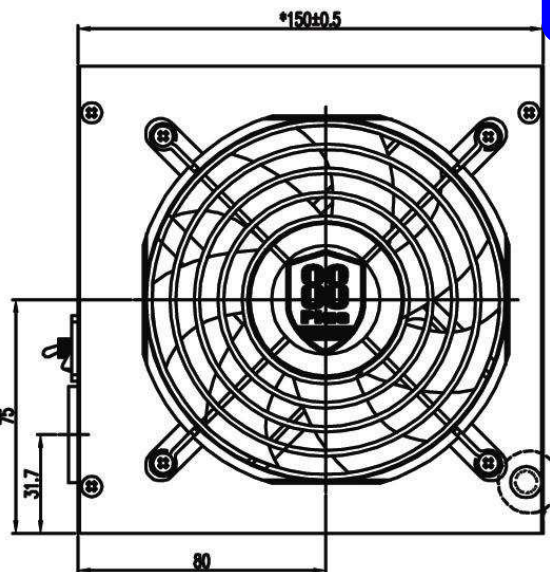
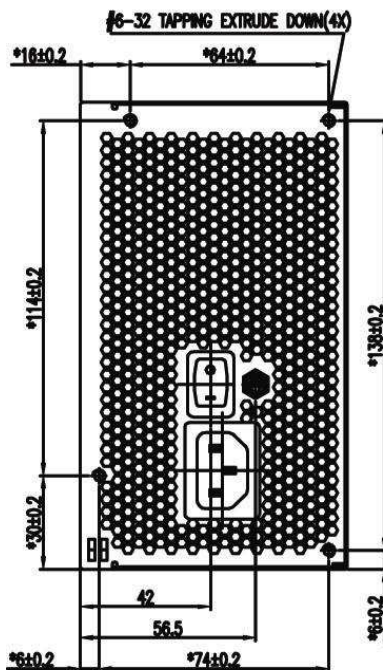
ENVIRONMENTAL SPEC.

Operating Temperature	0 ~ 50°C
Storage Temperature	-40 ~ 70°C

OUTPUT CURRENT CAPACITY

Voltage	Regulation	Min. Load	Max. Load	Combined
+5V	4.75~5.25	0.1A	22A	150W
+3.3V	3.13~3.46	0.1A	22A	
+12V1	11.4~12.6	0.1A	25A	540W
+12V2	11.4~12.6	0.1A	25A	
+12V3	11.4~12.6	0.1A	25A	
-12V	-10.8~-13.2	0A	0.5A	6W
+5Vsb	4.75~5.25	0.05A	3A	15W

OUTLINE DRAWING



Cabling:

- 24pin for M/B x 1
- 4+4pin for CPU x 1
- Peripheral 4pin x 5
- FDD 4pin x 1
- SATA x 6
- PCI-E 6+2pin x 4

