



GENERAL SPEC.

Hold-up Time	16ms@max. load 115Vac/60Hz
Dimensions	150 x 140 x 86 (mm)
MTBF	100KHrs
Output Rise Time	0.2~25ms
PG Signal Rise Time	1ms max.

ENVIRONMENTAL SPEC.

Operating Temperature	0 ~ 50°C
Storage Temperature	-40 ~ 70°C

OUTPUT CURRENT CAPACITY

Voltage	Regulation	Min. Load	Max. Load	Ripple p-p
+5V	4.75~5.25	1A	20A	50mV
+3.3V	3.13~3.46	0.5A	20A	50mV
+12V1	11.4~12.6	1A	16A	120mV
+12V2	11.4~12.6	1A	18A	120mV
-12V	-10.8~-13.2	0A	0.5A	120mV
+5Vsb	4.75~5.25	0.05A	2.5A	50mV

MODEL SELECTION

Part Number	PFC	Input Voltage
PC7008	Without PFC	110~115Vac, 220~230Vac
PC7009	With 115/230V PFC	110~115Vac, 220~230Vac

FEATURES

- Dual rails +12V output
- 20+4pin detachable connector for motherboard
- Super low noise
- Options for coating, ball-bearing & blue LED fan
- Intelligent-thermal fan control
- Compliance with Energy Star & Blue Angel

INPUT SPEC.

Input Voltage Range	110~115Vac, 220~230Vac
Input Frequency Range	50~60Hz
Leakage Current	3.5mA@120V/60Hz
Input Current	10A@115V; 6A@230V
PFC (Harmonic)	Meet IEC61000-3-2 Class D (230V/50Hz)
EMI/RFI	CISPR 22 Class B

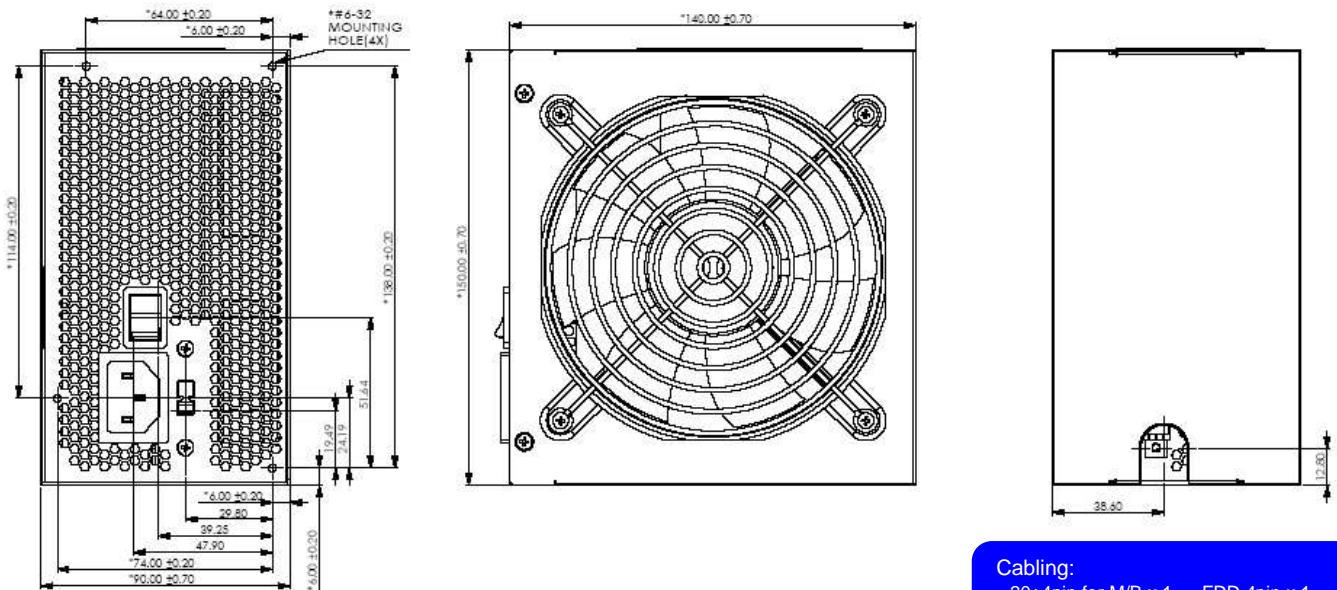
OUTPUT SPEC.

Output Power	380W
Max. Power	430W
Efficiency	80%@115/230Vac
OVP	+3.3V:4.5V,+5V:7V,+12V1:16V,+12V2:16V
OCP	<240VA
OTP	Latch off all main outputs if over temperature
SCP	Latch off all main outputs reset by cycling on/off control or AC power

SAFETY

UL, CUL, TUV, NEMKO, CB, CE, CCC, BSMI, GOST, MIC

OUTLINE DRAWING



- Cabling:**
- 20+4pin for M/B x 1
 - 4+4pin for CPU x 1
 - Peripheral 4pin x 4
 - FDD 4pin x 1
 - SATA x 2